

**SPECIFICATION DATA SHEET**

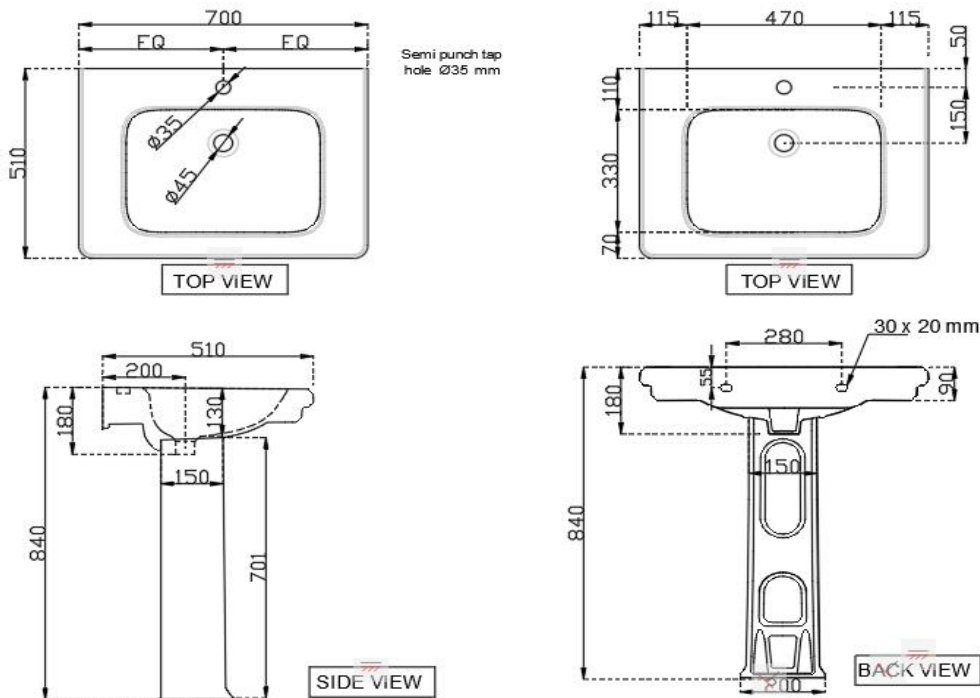
**PRODUCT DETAILS**

<b>Manufacturer :</b>	Artize	<b>Type:</b>	Wall Hung Basin with Full Pedestal
<b>Outlet</b>	Vertical	<b>Colour:</b>	White
<b>Technical Details:</b>	Tap hole dia. $\varnothing 35 \pm 2$ mm	<b>Material:</b>	Ceramic-FFC
	ID of waste outlet hole dia. $\varnothing 45 \pm 3$ mm	Horizontal distance between the centre line of the tap hole and the centre line of the waste outlet hole $\leq 150$ mm	

**PRODUCT IMAGE**



**TECHNICAL DRAWING**



<b>Product Dimension</b>	700x510x180 mm With pedestal 840 mm	<b>FEATURES</b> Rectangular Shape, Tap Hole, Overflow Hole, Anti-germ Glaze with Victorian look and Elegant Design.
<b>Basin Inner Dimension</b>	470x330x130 mm	
<b>Product Weight</b>	15.80 kg.	

**ACCESSORIES INCLUDED**

Rag bolt	ZPS-SNS-RB10
Over Flow Hole Cap	ZPS-WHT-9012B

**RECOMMENDED PEDESTAL**

Full Pedestal	VCS-WHT-503301
Full Pedestal Floor Fixing Screw	ZPS-SNS-FB01

**CERTIFICATION**

Compliance : EN 14688:2015 (E), EN 997 :2012+A1:2015



DISCLAIMER: Our every effort has been made to ensure factual accuracy, the information presented subject to changes due to requirements in different sites, markets and/ or countries. All dimensions are in mm (Tolerance  $\pm 5$  MM). Jaquar reserves the right to make the necessary amendments at any time without prior notice.